



LOCKY

ADGANGSKONTROLL - ET SYSTEM FOR ALLE

Locky-8088

Stainless steel hotel lock is made for the IC lock hotel upgrading renovation, easily change the IC lock into code panel lock.

- Unlocking by code, app + mechanical key in emergency
- Material: SUS304 stainless steel
- Powered by 4pcs AA Alkaline battery
- Battery life: approx 5 year
- Optimised for Locky smartAccess, WIFI, BLE





LOCKY

ADGANGSKONTROLL - ET SYSTEM FOR ALLE

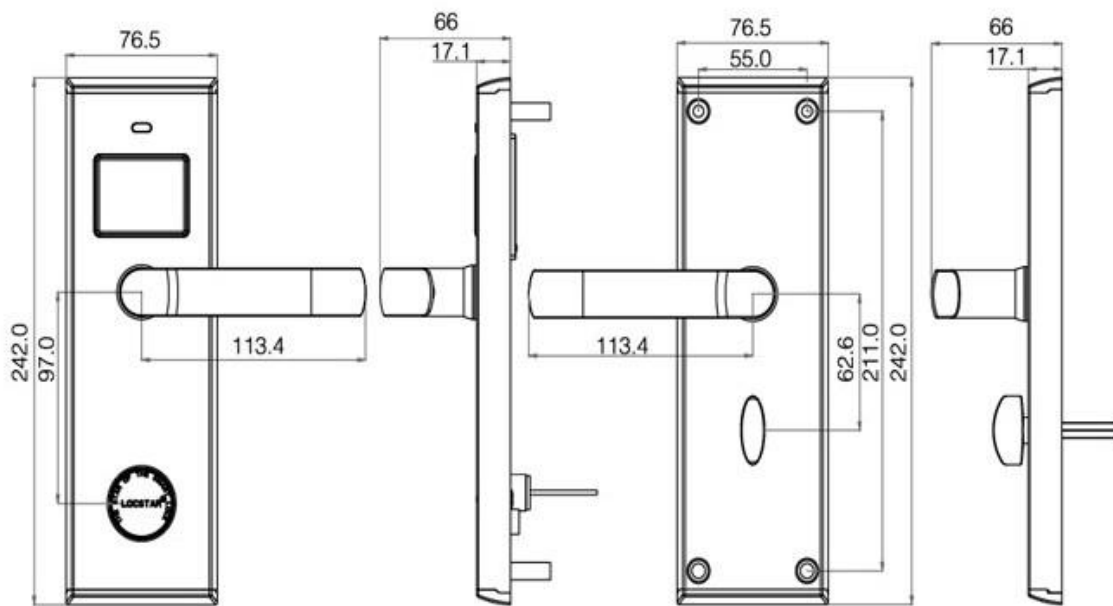
PARAMETER

Lock type	Code panel lock
International Standard	ISO14443-A
Static current	$\leq 25\mu\text{A}$ - $\leq 15\mu\text{A}$
Dynamic current	$\leq 200\mu\text{A}$
Power Supply	4×AA
Low—voltage Index	5.0V(± 0.2)
Battery life	≥ 50000 times
Built-in communication	WIF, Bluetooth low energi
Reliability	≥ 30000 times
Weight	3.0Kg
Working temperature	-20°C~55°C
Storage temperature	-30°C ~ 70°C
Working humidity	15%RH ~ 90%RH
Mechanical life	≥ 100000 times



LOCKY

ADGANGSKONTROLL - ET SYSTEM FOR ALLE



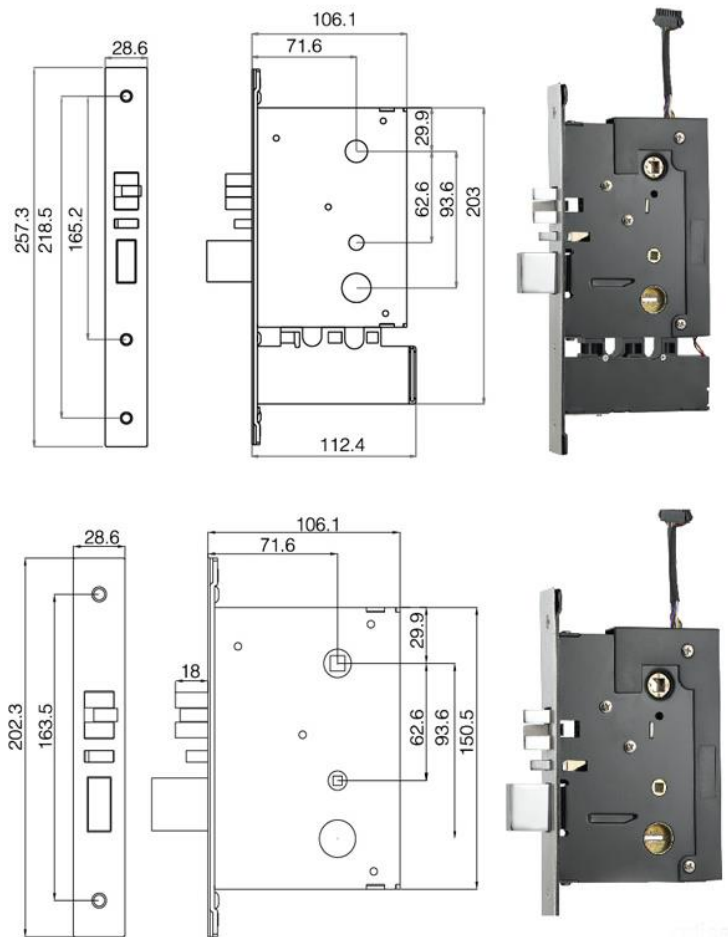
Mortise



LOCKY

ADGANGSKONTROLL - ET SYSTEM FOR ALLE

1.8# ANSI standard, five lock tongue three linkage lock body





LOCKY

ADGANGSKONTROLL - ET SYSTEM FOR ALLE

2.9# Euro stand, five lock tongue three linkage lock body

